

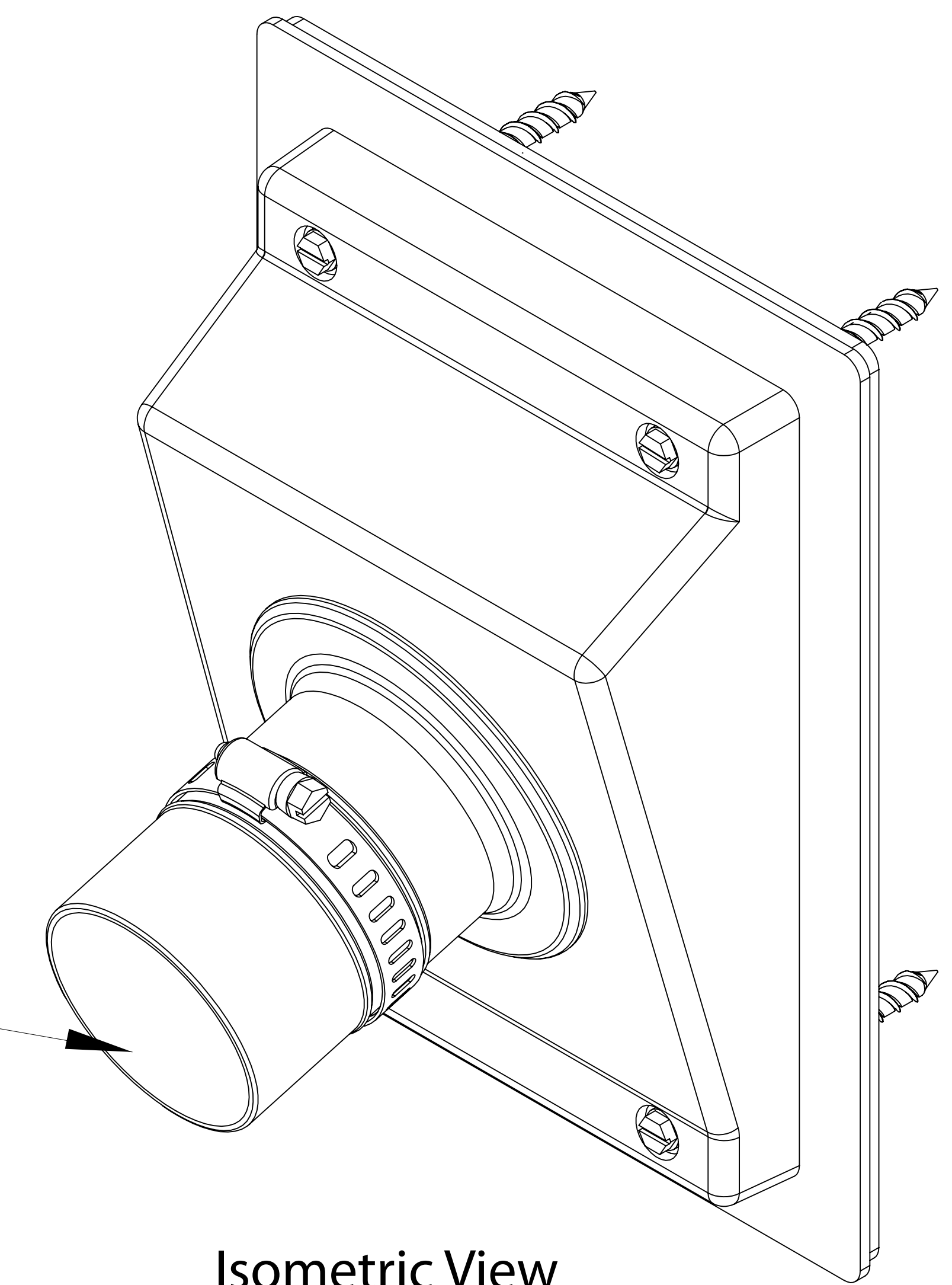
# Titan TGS Series Wall Outlet Seal Dimensions

Flexible Elastomeric Sleeve Diameter  
Model Numbers With Dimensions

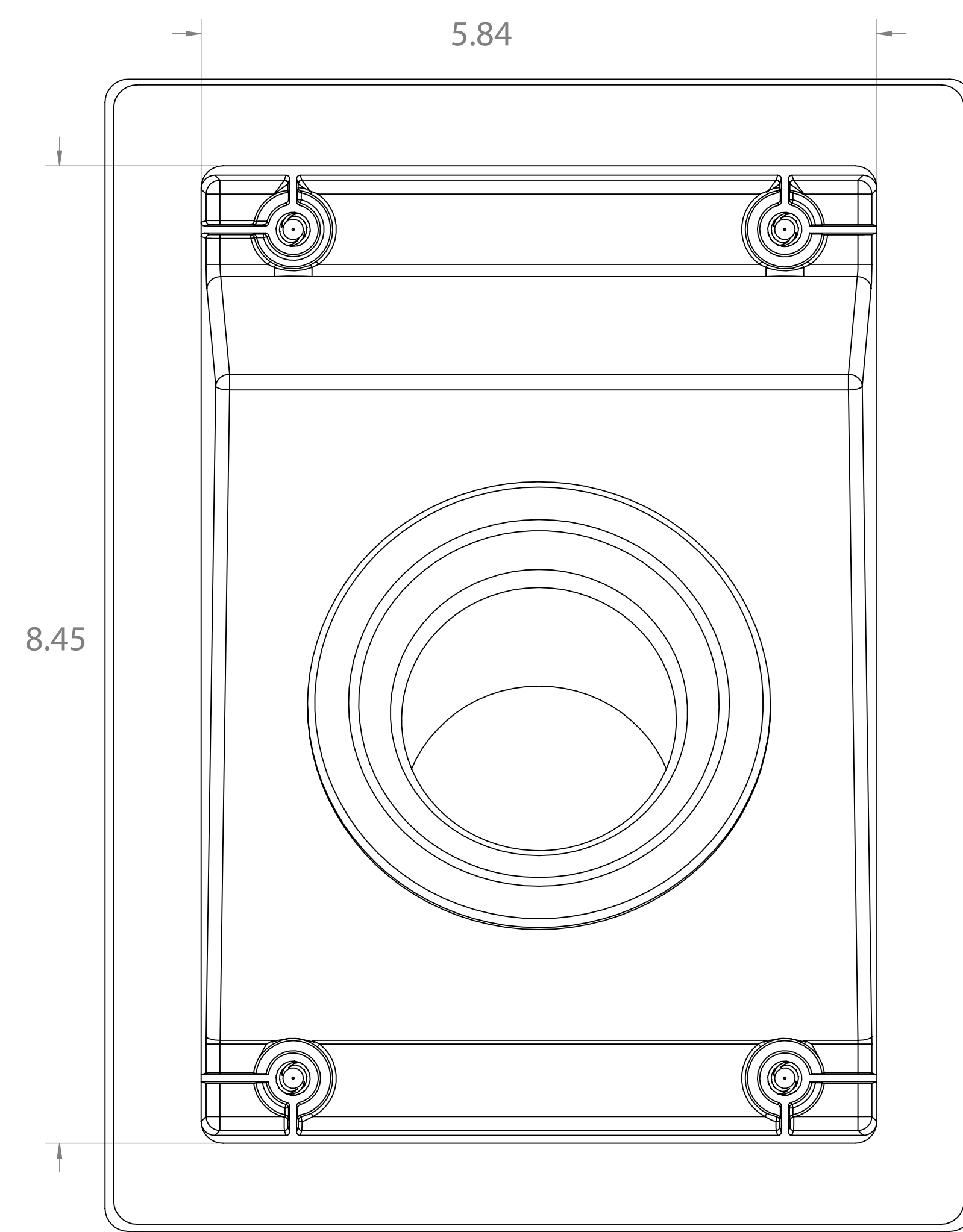
TGS550 = 1/2" Insulation Wall Thickness (1.70" ID)

TGS575 = 3/4" Insulation Wall Thickness (2.375" ID)

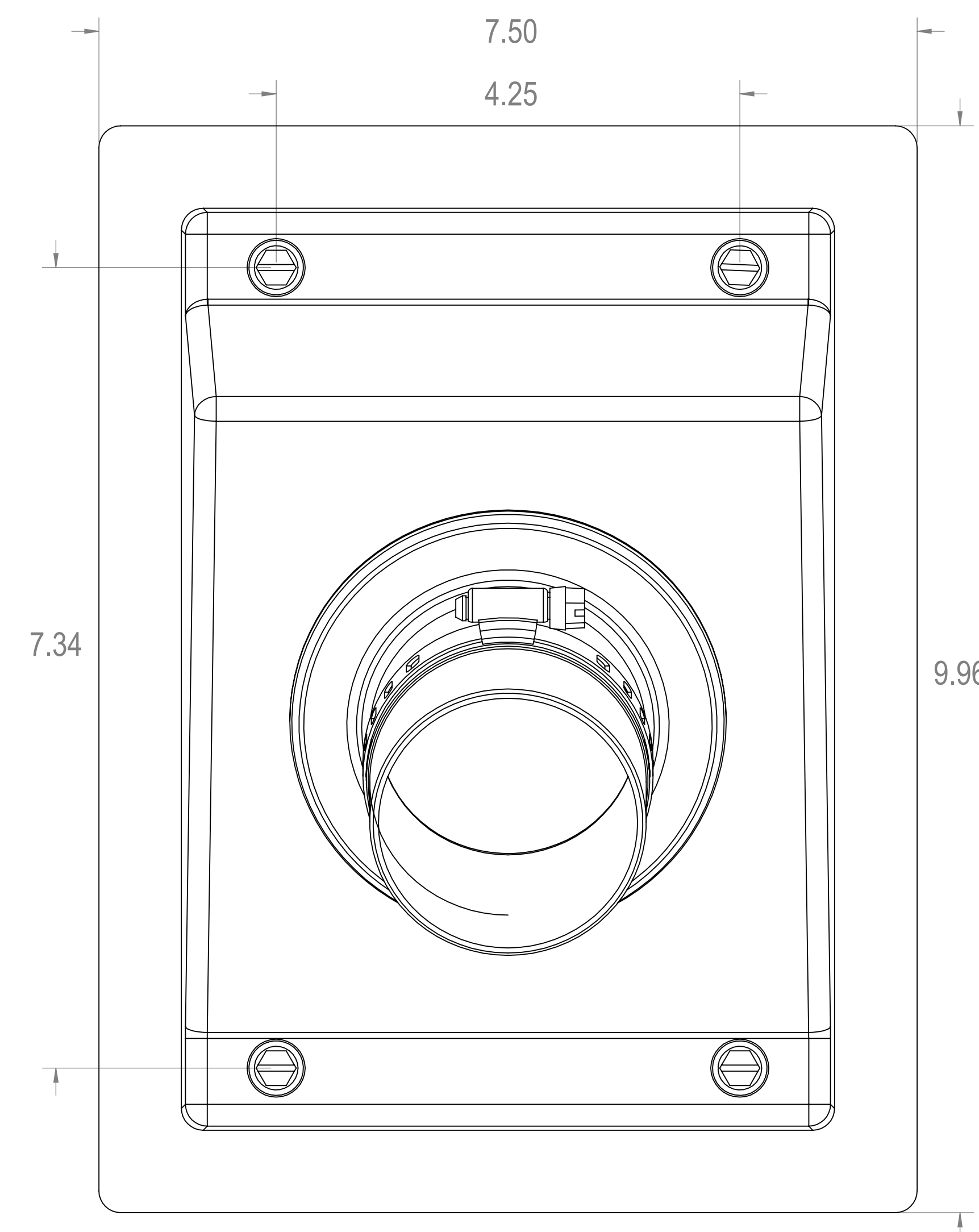
TGS510 = 1" Insulation Wall Thickness (3.188" ID)



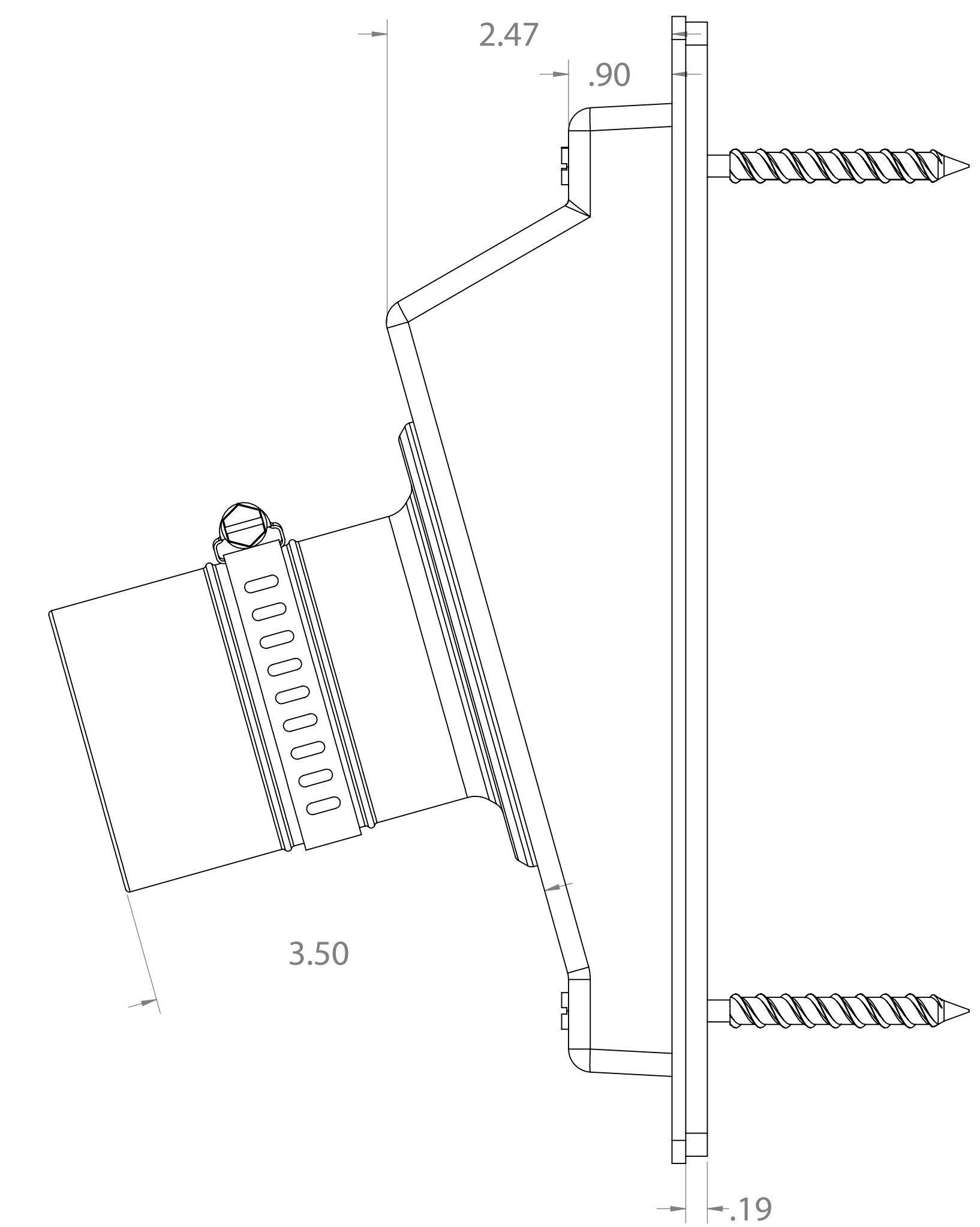
Isometric View



Back View



Front View



Right View