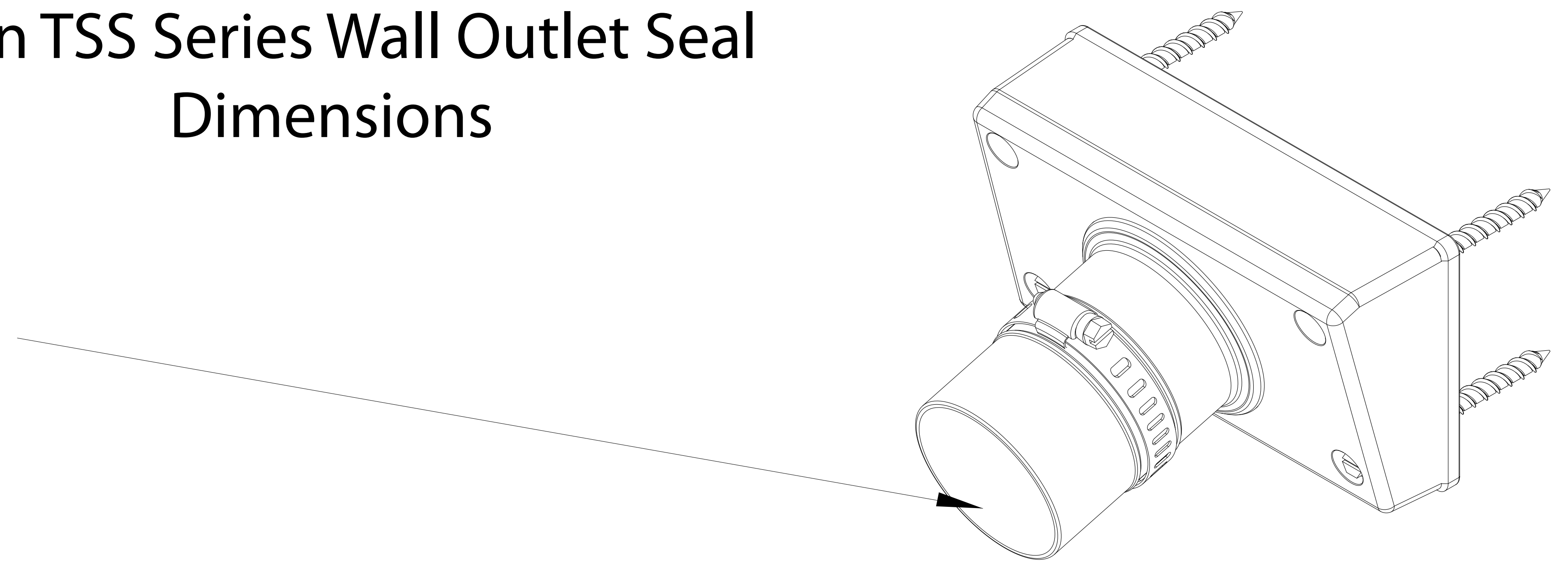


Titan TSS Series Wall Outlet Seal Dimensions

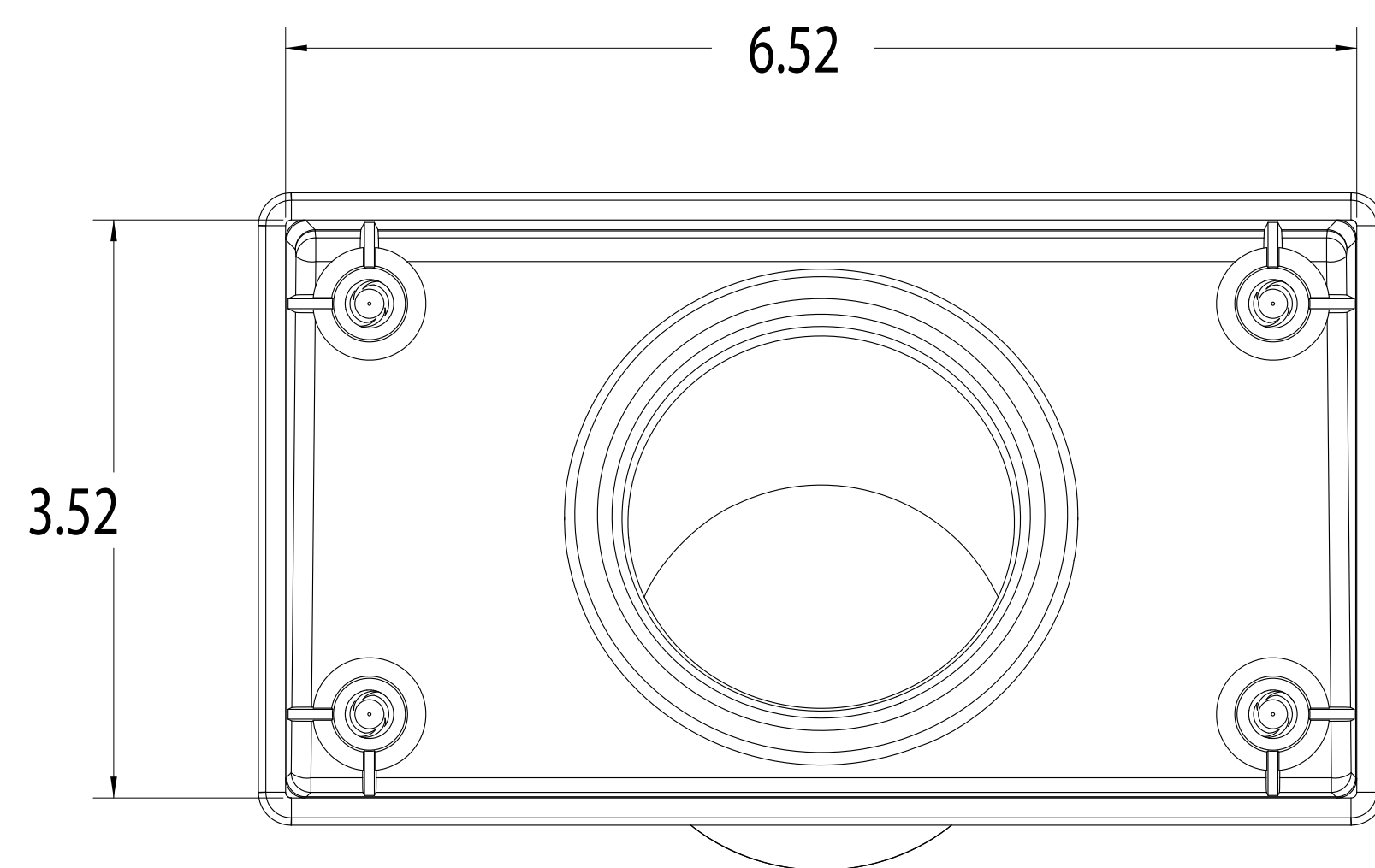
Flexible Elastomeric Sleeve Diameter
Model Numbers With Dimensions

TSS550 = 1/2" Insulation Wall Thickness (1.70" ID)

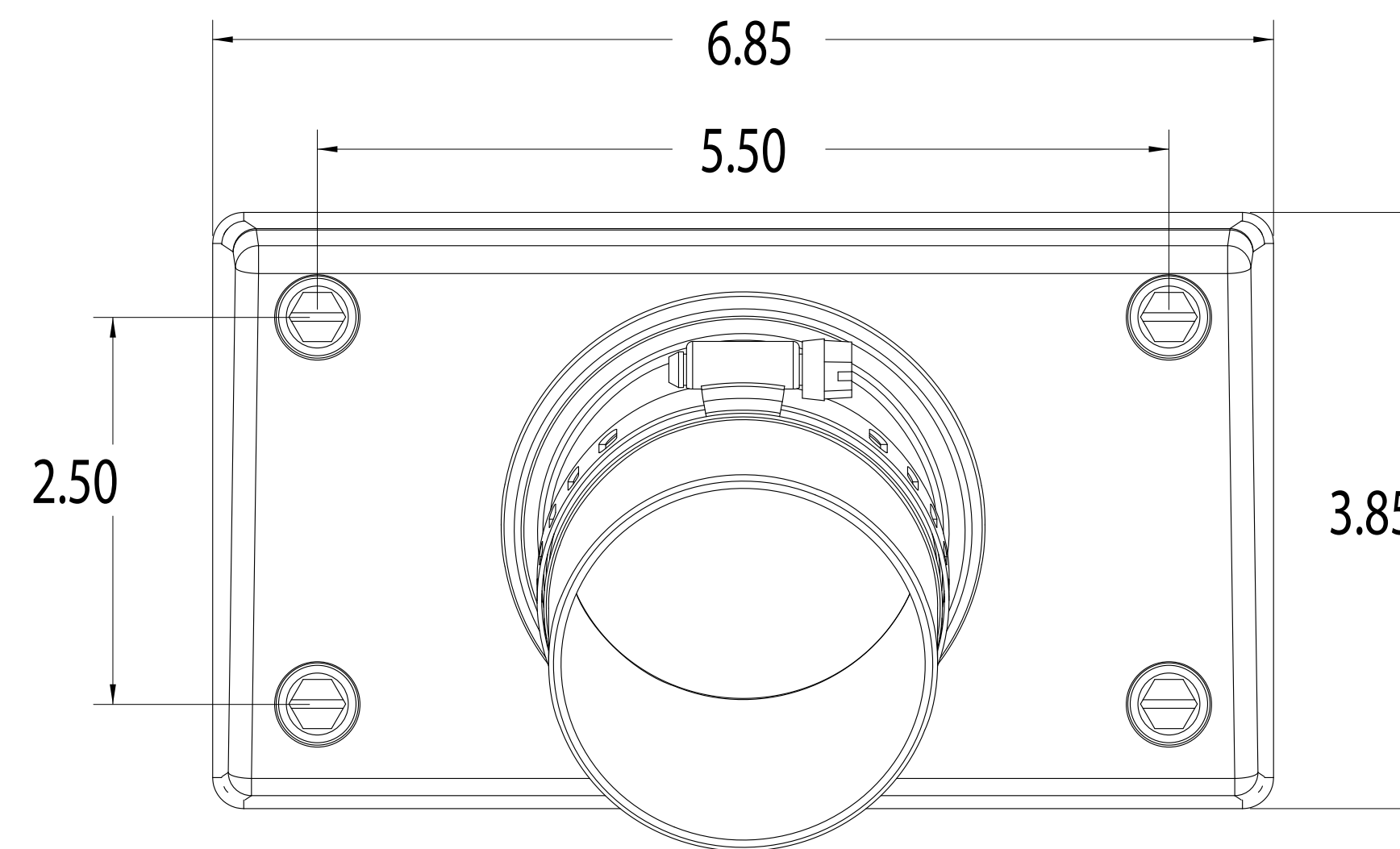
TSS575 = 3/4" Insulation Wall Thickness (2.375" ID)



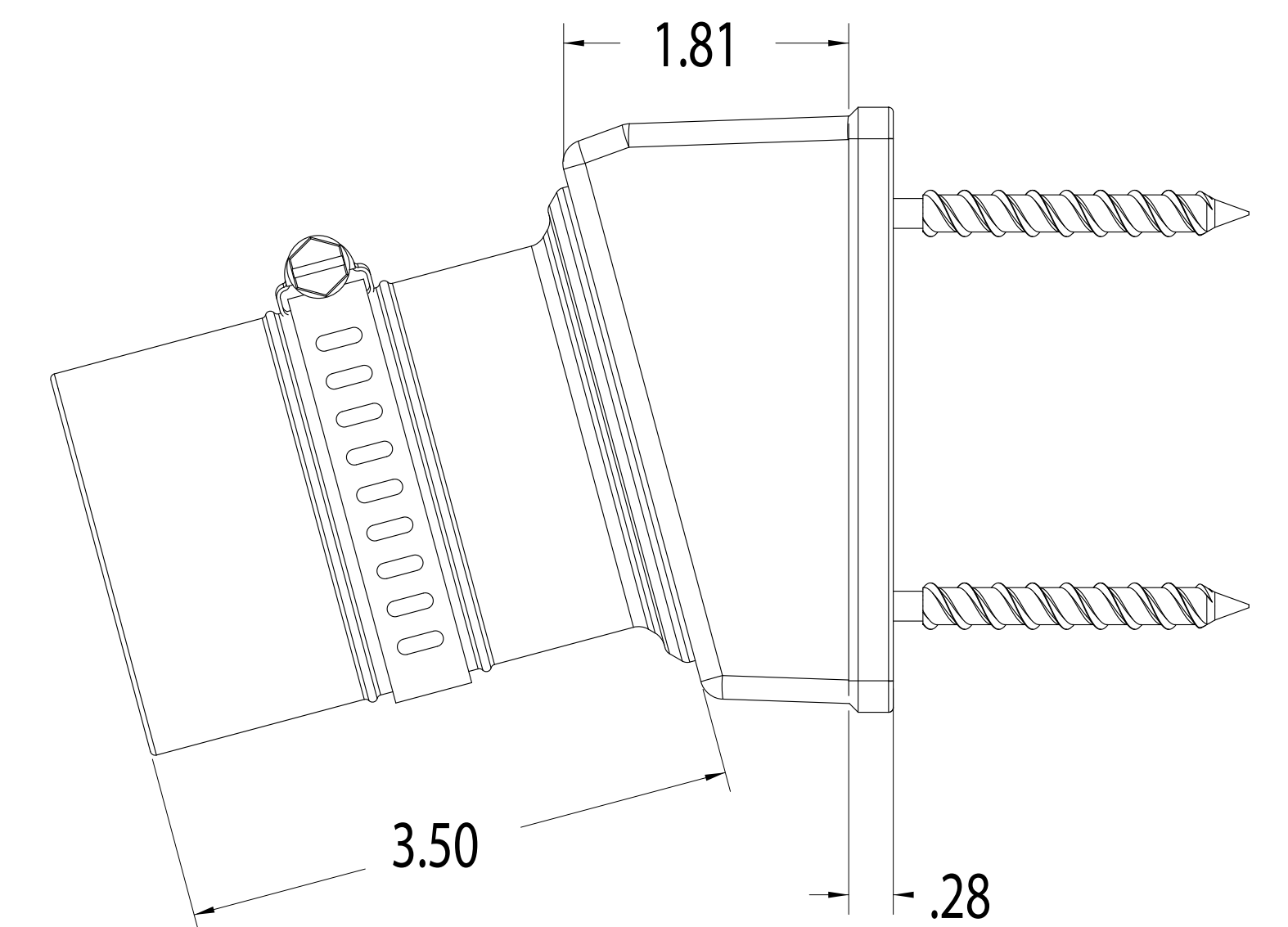
Isometric View



Back View



Front View



Right View



* All Dimensions are in Inches